



Ultra-Compact WiFi 6 Standalone Access Point for High-Efficiency Wireless Solutions

The NETGEAR WiFi 6 AX1800 PoE Wireless Access Point (AP) delivers 802.11ax high performance wireless connectivity for Small Office and Home Office (SOHO) deployments and supports

dual band concurrent WiFi 6 operations at 2.4GHz and 5GHz with a combined throughput of 1.8Gbps (600Mbps at 2.4GHz and 1800Mbps at 5GHz). The WAX210 WiFi 6 Access Point provides

standalone configuration with easy setup for a reliable, WiFi 6 802.11ax high performance, and cost effective wireless solution.

The WAX210PA (U.S. only) is powered by Power-over-Ethernet or a DC power adapter.

Features

Easy to Configure

- Simple setup in minutes with intuitive Graphical User Interface (GUI)
- Comprehensive monitoring and management through a local web portal user interface

802.11ax high performance and superior coverage

- WiFi 6 802.11ax technology
- Dual band 2x2 (transmit x receive) concurrent operation between 2.4GHz and 5GHz frequency ranges
- Maximize coverage for optimal deployment for SOHO

Comprehensive security

- Supports wireless security features (WPA, WPA2 and WPA3)
- MAC based Access Control List to protect against intruders

Convenient Deployment

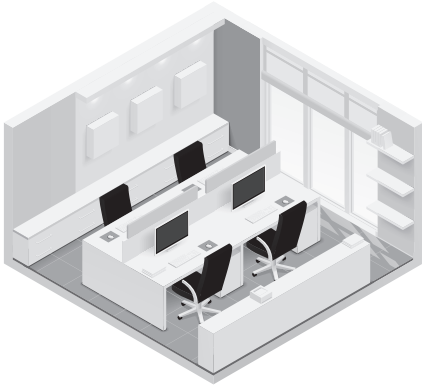
- Hardware harness included for easy ceiling and wallmount installation
- Flexible options for power source, either by a DC power adapter (included in the WAX210PA model only) or by a PoE Ethernet switch

Interoperate with both new and legacy clients

- Support latest WiFi 6 802.11ax wireless clients to achieve maximum speed
- Backward compatible to allow legacy devices to connect at their fastest speed

Sample Deployment Use Cases

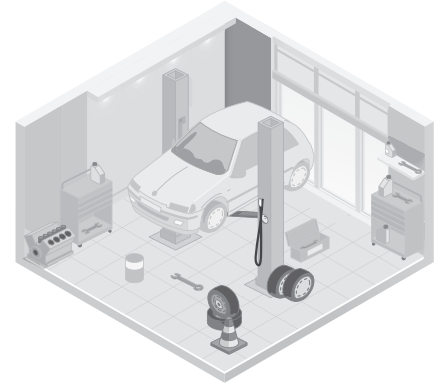
WAX210 Deployment Scenario



Micro Business



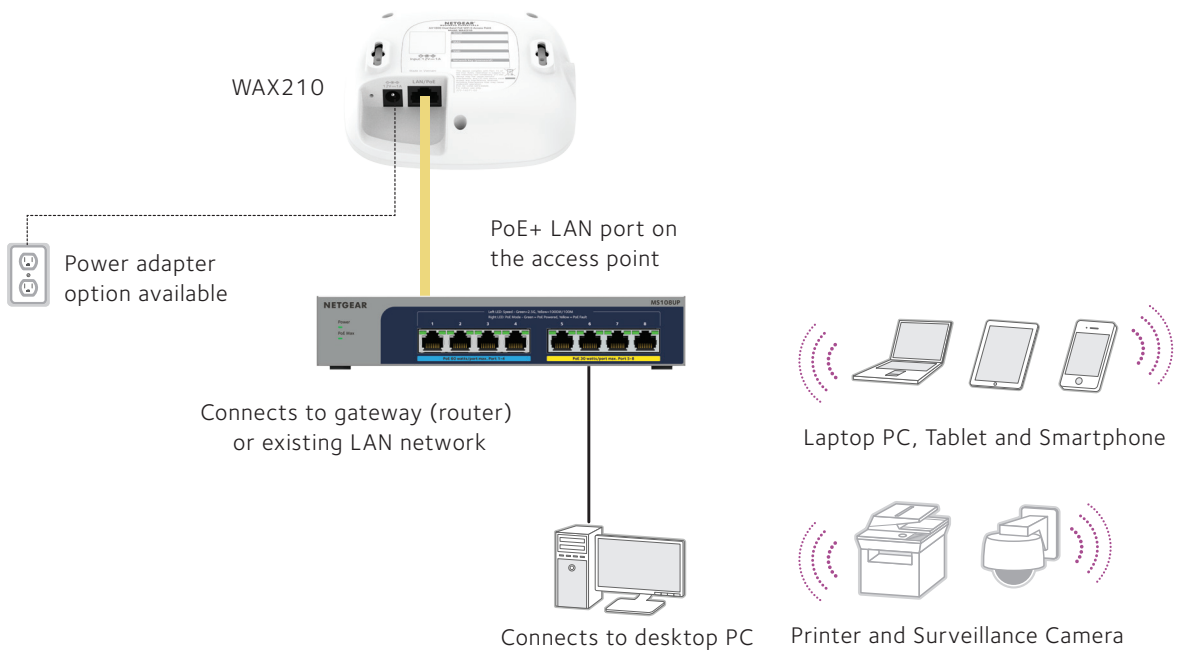
Dental Offices



Car Repair Shop

Example Application

WAX210 Deployment Scenario



Size Comparison



Technical Specifications

Physical Specifications

Dimensions (W x D x H)	4.5 x 4.5 x 1.2 in (115 x 115 x 30.5 mm)
Weight	0.48 lb (0.219 kg)
Mounting options	Ceiling or Wall mount

Physical Characteristics

Power Supply	12V/1.5A (30W) Power adapter (included with WAX210PA model only) or PoE Switch
Power Consumption	15.2W

Network Interfaces

Ethernet Ports	One (1) 100/1000Mbps Ethernet (RJ-45) PoE port with Auto Uplink™ (Auto MDI-X)
----------------	---

Buttons

Hardware Buttons	Default Reset
LEDs	Single multi color LED

Environmental Specifications

Operating Temperature	0° to 40°C (32° to 104°F)
Storage Temperature	-40° to 70°C
Operating Relative Humidity	5% to 95%
Storage Humidity	5% to 95%
MTBF	@ 25°C > 1,896,453 hours @ 45°C > 431,098 hours
Safety Certification	CB, EN60950, EN62368

Technical Specifications

RF Characteristics	
Standards	IEEE 802.11ax IEEE 802.11ac specification IEEE 802.11n 2.0 specification IEEE 802.11g IEEE 802.11b IEEE 802.11a
Frequency Band	2.4GHz and 5GHz concurrent operation
Maximum Theoretical Throughput	600Mbps (2.4GHz) 1200Mbps (5.0GHz)
Maximum Number of Clients	128 (2.4GHz 64, 5GHz 64)
Maximum Number of Concurrent Devices	30
Coverage Area per Unit	1, 500 sq. ft. (130 sq. m)
Network Management	
Deployment options	Standalone Web UI
Access Point	Antenna: 4.1dBi (2.4GHz), 4.6dBi (5GHz)
Security	WiFi Protected Access (WPA2/WPA3) MAC Address filtering 4 SSID
Network Management	
MAC ACL	Yes
VPN Pass-through	No
802.11e WMM	Wireless multimedia mode for QoS
Simultaneous Bridge/Client Association	No
Warranty and Support	
Hardware Limited Warranty	3 years
Technical support (online, phone)	90 days free from date of purchase*
ProSUPPORT OnCall 24x7 Service Packs**	Category 1 PMB0311 (1yr) PMB0331 (3 yrs) PMB0351 (5 yrs)

Ordering Information

Package Contents

WAX210	WiFi 6 AX1800 Dual-band Access Point with Multi-Gig PoE (WAX210) Wall/ceiling mount kit Installation guide Warranty/support information card Power adapter, available in WAX210PA-100NAS SKU only
--------	---

Ordering Information

WAX210-100APS (DC power adapter not included)	Asia Pacific
WAX210-100EUS (DC Power adapter not included)	Europe and Selected Countries
WAX210-100NAS (DC power adapter not included)	United States
WAX210PA-100NAS (DC power adapter included)	United States

*This product comes with a limited warranty that is valid only if purchased from a NETGEAR authorized reseller, and covers unmodified hardware, fans and internal power supplies - not software or external power supplies, and requires product registration within 90 days of purchase; see <https://www.netgear.com/about/warranty> for details. Intended for indoor use only.

**The NETGEAR OnCall 24x7 contract provides unlimited phone, chat and email technical support for your networking product.

NETGEAR and the NETGEAR logo are trademarks and/or registered trademarks of NETGEAR, Inc. and/or its subsidiaries in the United States and/or other countries. iPhone is a registered trademark of Apple. Other brand names mentioned herein are for identification purposes only and may be trademarks of their respective holder(s). Information is subject to change without notice. © 2024 NETGEAR, Inc. All rights reserved.