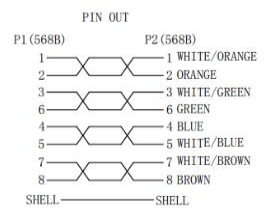
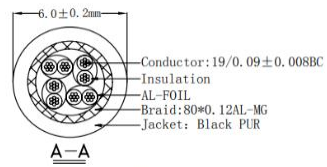


PN	L/(M)	T/(MM)
08-39205	0.15	±10
08-39005	0.25	±10
08-39015	0.5	±10
08-39025	1.0	±20
08-39155	1.5	±20
08-39035	2.0	±30
08-39045	3.0	±50
08-39055	5.0	±80
08-39275	7.0	±100
08-39065	7.5	±100
08-39075	10.0	±100
08-39085	15.0	±150
08-39095	20.0	±150
08-39105	25.0	±200
08-39485	30.0	±200
08-39495	40.0	±250
08-39505	50.0	±300



PUR is the abbreviation for polyurethane. The material PUR is a thermoplastic elastomer (TPE) and has special properties.

The industrial market prefer cables with PUR cable jacket because of its many advantages.

PUR advantages:
 abrasion-resistant, suitable for drag chains, tensile strength, oil-resistant,
 pull tight, notch-resistant, bend-resistant, impact-tough,
 cold-flexible, heat-resistant, UV-resistant, hydrolysis resistant;

Suitable for outdoor use.
 Not suitable for buried installation,
 please pay attention to the legal regulations and use cable tubes / ducts for such installations.

- Connections: RJ45 plug to RJ45 plug
- Compatible with: 10GBASE-T, 1000BASE-T and below
- Transmission frequency cable up to: 600 MHz
- Transmission frequency plug up to: 500 MHz
- Bandwidth up to: 10 Gbit/s
- Pin assignment: EIA/TIA 568B
- Cable specification: Cat. 7 (Class F)
- Specification plug: Cat. 6A (Class EA)
- Backwards compatible versions: Cat. 6A, Cat. 6 and below
- Suitable for:
 PoE IEEE 802.3af Class 1 / PD Type 1 / 2 pairs,
 PoE IEEE 802.3af Class 2 / PD Type 1 / 2 pairs,
 PoE IEEE 802.3af Class 3 / PD Type 1 / 2 pairs,
 PoE+ IEEE 802.3at Class 4 / PD Type 2 / 2 pairs;

- Shielding class: S/FTP
- Shielding 1: foil laminated PIMF (100% density)
- Shielding 2: braid
- Core material: copper
- Wire type: stranded / flexible (stranded)
- Number of cores: 8 (4 x 2 twisted pair)
- Plug: moulded, shielded
- Contact surface: Pins gold-plated
- Kink protection: yes

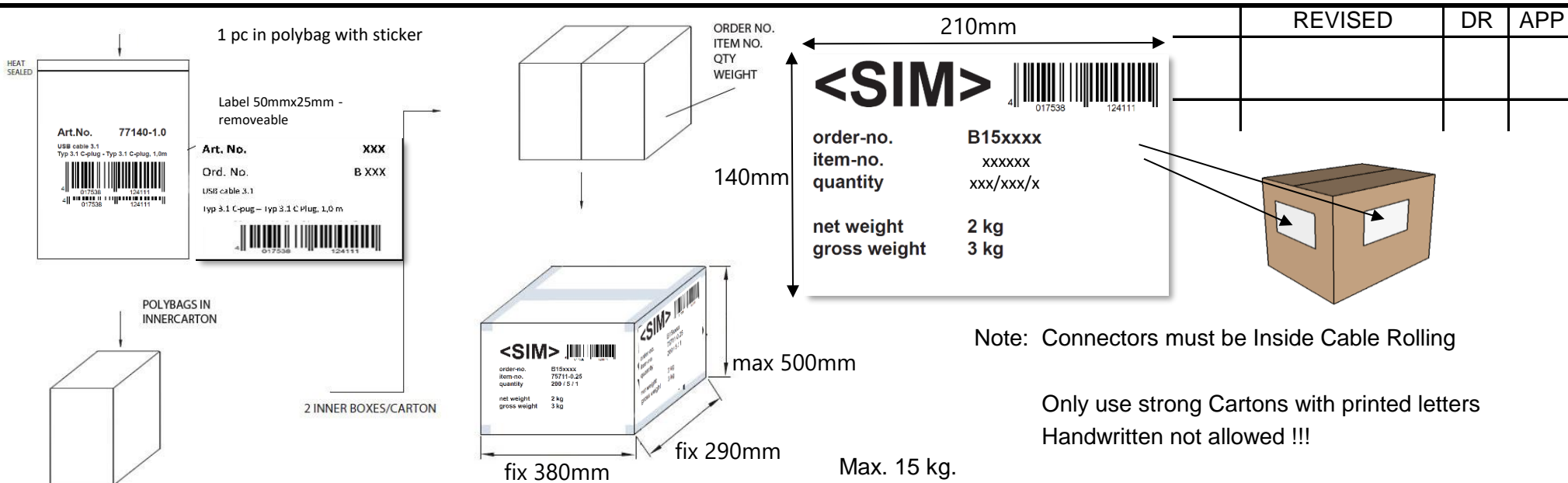


NOTES:
 1. 100% OPEN CIRCUIT SHORT CIRCUIT&DISPLACEMENT TEST
 2. FLUKE CHANNEL LINK TEST :
 L≤5M; LINK 80M+L-L
 5M<L≤ 10M : LINK 80M+0.3M+L
 10M<L≤ 15M : LINK 60M+0.3M+L
 15M<L≤ 30M : FLUKE CHANNEL TEST
 L>50M CONDUCTION TEST PASS
 TEST LIMIT:ISO11801 CHANNEL CLASS EA
 3. ROHS2.0 AND REACH COMPLIANT

③	MOLDED	PVC
②	CONNECTOR	RJ45 8P8C, Nickel Plating Of Shell, Pin Gold-Plated Fu"
①	CABLE	S/FTP CAT7 26AWG(19/0.09±0.008)BC*4P+AL-FOIL+B(80*0.12AL-MG), PREMIUM PUR JACKET OD:6.0+/-0.2MM
NO	PART NAME	PICTURES AND COLORS CAN DIFFER FROM THE PRODUCT



DESCRIPTION		RJ45 PATCHCABLE, CAT. 7 S/FTP, PUR, BLACK					
SIZE	A4	DATE	14.12.2023	CHECKED		TOL	08-39205
UNIT	MM	DRAWN	B.Rüttinger	APPROVED			
CUSTOM TARIF NO.: 85444210000							



ART.NO.	LENGTH	ROLLING SIZE	NET.WEIGHT (g)	PACKING	EAN CODE
08-39205	0.15m	150x10x15mm	12g	250 EXP / 125 INNER - 1 pc in pb with st.	4017538145055
08-39005	0.25m	250x10x15mm	18g	200 EXP / 100 INNER - 1 pc in pb with st.	4017538145062
08-39015	0.5m	140x120x15mm	27g	200 EXP / 100 INNER - 1 pc in pb with st.	4017538145079
08-39025	1.0m	140x120x15mm	43g	200 EXP / 100 INNER - 1 pc in pb with st.	4017538145086
08-39155	1.5m	140x110x15mm	58g	100 EXP / 50 INNER - 1 pc in pb with st.	4017538145093
08-39035	2.0m	140x140x20mm	75g	100 EXP / 50 INNER - 1 pc in pb with st.	4017538145109
08-39045	3.0m	140x120x25mm	107g	100 EXP / 50 INNER - 1 pc in pb with st.	4017538145116
08-39055	5.0m	145x140x30mm	167g	50 EXP / 25 INNER - 1 pc in pb with st.	4017538145123
08-39275	7.0m	150x150x30mm	235g	40 EXP / 20 INNER - 1 pc in pb with st.	4017538145130
08-39065	7.5m	150x150x40mm	247g	40 EXP / 20 INNER - 1 pc in pb with st.	4017538145147



kabelschweiz.ch

DESCRIPTION

RJ45 PATCHCABLE, CAT. 7 S/FTP, PUR, BLACK

SIZE A4

DATE

14.12.2023

CHECKED

TOL

UNIT MM

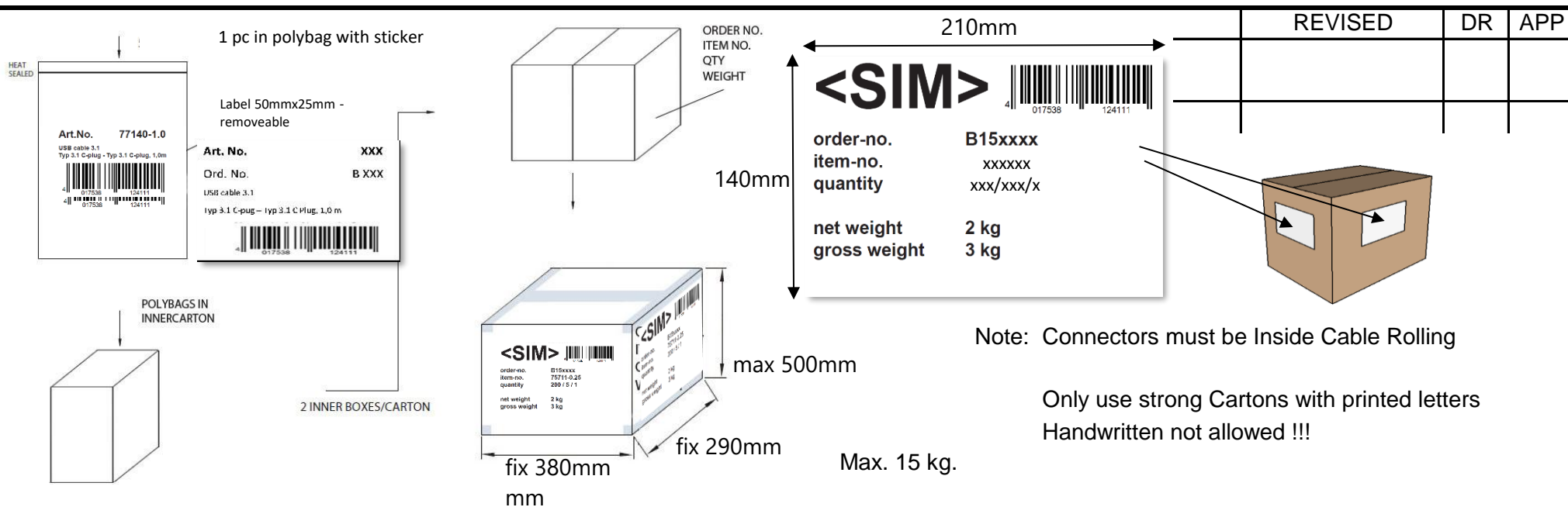
DRAWN

B.Rüttinger

APPROVED

08-39205

CUSTOM TARIF NO.: 85444210000



ART.NO.	LENGTH	ROLLING SIZE	NET.WEIGHT (g)	PACKING	EAN CODE
08-39075	10.0m	170x170x40mm	326g	20 EXP / 10 INNER - 1 pc in pb with st.	4017538145154
08-39085	15.0m	190x190x50mm	477g	10 EXP / 5 INNER - 1 pc in pb with st.	4017538145161
08-39095	20.0m	190x190x70mm	650g	10 EXP / 5 INNER - 1 pc in pb with st.	4017538145178
08-39105	25.0m	220x220x70mm	802g	8 EXP / 4 INNER - 1 pc in pb with st.	4017538145185
08-39485	30.0m	230x230x70mm	960g	8 EXP / 4 INNER - 1 pc in pb with st.	4017538145192
08-39495	40.0m	230x230x90mm	1230g	5 EXP / INNER - 1 pc in pb with st.	4017538145208
08-39505	50.0m	230x230x100mm	1610g	4 EXP / INNER - 1 pc in pb with st.	4017538145215



kabelschweiz.ch

DESCRIPTION

RJ45 PATCHCABLE, CAT. 7 S/FTP, PUR, BLACK

SIZE	A4	DATE	14.12.2023	CHECKED		TOL	
UNIT	MM	DRAWN	B.Rüttinger	APPROVED			08-39205
CUSTOM TARIF NO.: 85444210000							

