

PIN OUT
568B

CN1		CN2	
WH/OG	1	1	WH/OG
OG	2	2	OG
WH/GN	3	3	WH/GN
GN	6	6	GN
BU	4	4	BU
WH/BU	5	5	WH/BU
WH/BN	7	7	WH/BN
BN	8	8	BN
SHELL		SHELL	

NOTES:

- 1:100% short,open and miss wire test.
- 2:Cable marking:S/FTP CAT7 600MHz Patch-Cable --- 4x2xAWG26 - LSZH

Note: (Colour Codes)

- Blue RAL 5005
- Yellow RAL 1003
- Green RAL 6024
- Red RAL 3020
- Black RAL 9005
- White RAL 9003
- Orange RAL 2007
- Grey RAL 7044 (standard)

- assembled rawcable Cat 7, 600 MHz, S/FTP, PIMF, halogenfree
- Connections: Cat. 6A (downforced), (500Mhz) RJ45 Plug - RJ45 Plug
- Occupancy: TIA/EIA 568B
- Structure Shielding: Alu Foil 0,025mm/ 80x0,12mm
- Construction: AWG 26/7
- Wire Material: copper
- Plug Material: gold plated 3µ

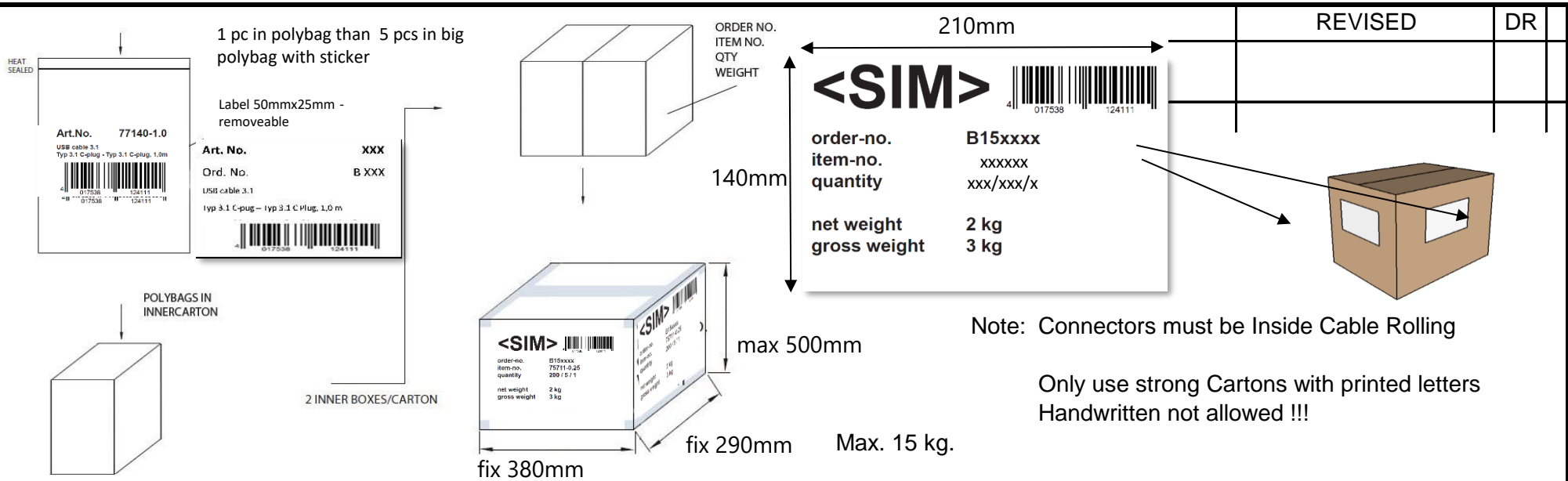
Cable must PASS Fluke Test



3	Imprint	S/FTP CAT 7 RAW 600MHz Patch-Cable ---4x2xAWG 26
2	Connectors	RJ45 CAT6A 3U" Gold Plated, molded with METERMARKING
1	Cable	Braiding 80x0,12mm Aluminium - AWG26/7 CU = 7x0,16 - each pair with Alufoil shielded, OD = 6,5mm - LSZH - all colours RAL code
NO	PARTS	PICTURES AND COLORS CAN DIFFER FROM THE PRODUCT



DESCRIPTION		S/FTP CAT 7 600MHz Patch-Cable ---4x2xAWG 26 LSZH					
SIZE	A4	DATE	11.09.2024	CHECKED		TOL	
UNIT	MM	DRAWN	R. Hüller	APPROVED			75511
CUSTOM TARIF NO.: 85444210000							



ART.NO.	LENGTH	ROLLING SIZE	NET.WEIGHT (g)	PACKING	EAN CODE
75511-0.25	0,25m	140x120x18mm	20g	200 EXP / INNER - 5/1 in pb with sticker	
75511-0.5	0,5m	150x140x15mm	30g	200 EXP / INNER - 5/1 in pb with sticker	
75511	1,0m	130x130x20mm	45g	200 EXP / INNER - 5/1 in pb with sticker	
75511-1.5	1,5m	130x130x20mm	60g	100 EXP / INNER - 5/1 in pb with sticker	
75512	2,0m	130x130x22mm	76g	100 EXP / INNER - 5/1 in pb with sticker	
75513	3,0m	140x130x30mm	106g	80 EXP / INNER - 5/1 in pb with sticker	
75515	5,0m	150x150x40mm	176g	50 EXP / INNER - 5/1 in pb with sticker	
75517	7,5m	150x150x45mm	257g	40 EXP / INNER - 5/1 in pb with sticker	
75520	10,0m	160x160x45mm	330g	20 EXP / INNER - 5/1 in pb with sticker	
75525	15,0m	200x200x45mm	510g	10 EXP / INNER - 5/1 in pb with sticker	
75526	20,0m	200x200x45mm	680g	10 EXP / INNER - 1 in pb with sticker	
75530	30,0m	220x220x60mm	1035g	8 EXP / INNER - 1 in pb with sticker	
75550	50,0m	230x230x80mm	1635g	4 EXP / INNER - 1 in pb with sticker	



DESCRIPTION

S/FTP CAT 7 600MHz Patch-Cable ---4x2xAWG 26 LSZH

SIZE	A4	DATE	11.09.2024	CHECKED		TOL	
UNIT	MM	DRAWN	R. Hüller	APPROVED			75511
CUSTOM TARIF NO.: 85444210000							