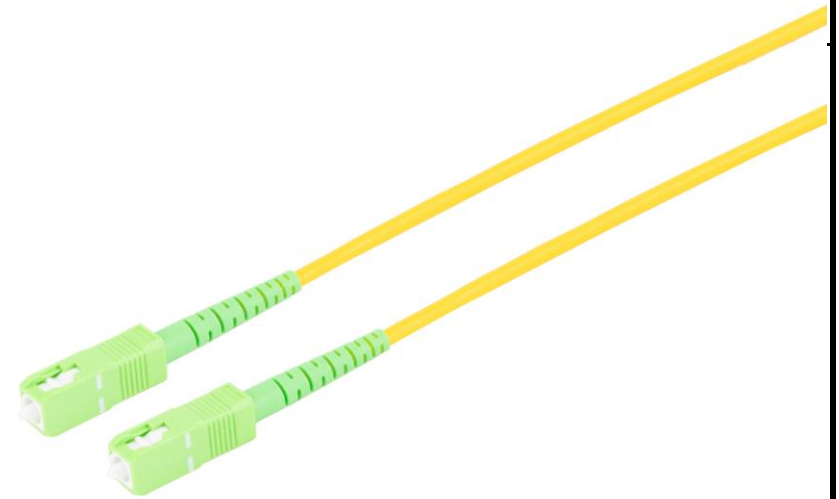


Singlemode fiber optic simplex patchcable,
for indoor applications.

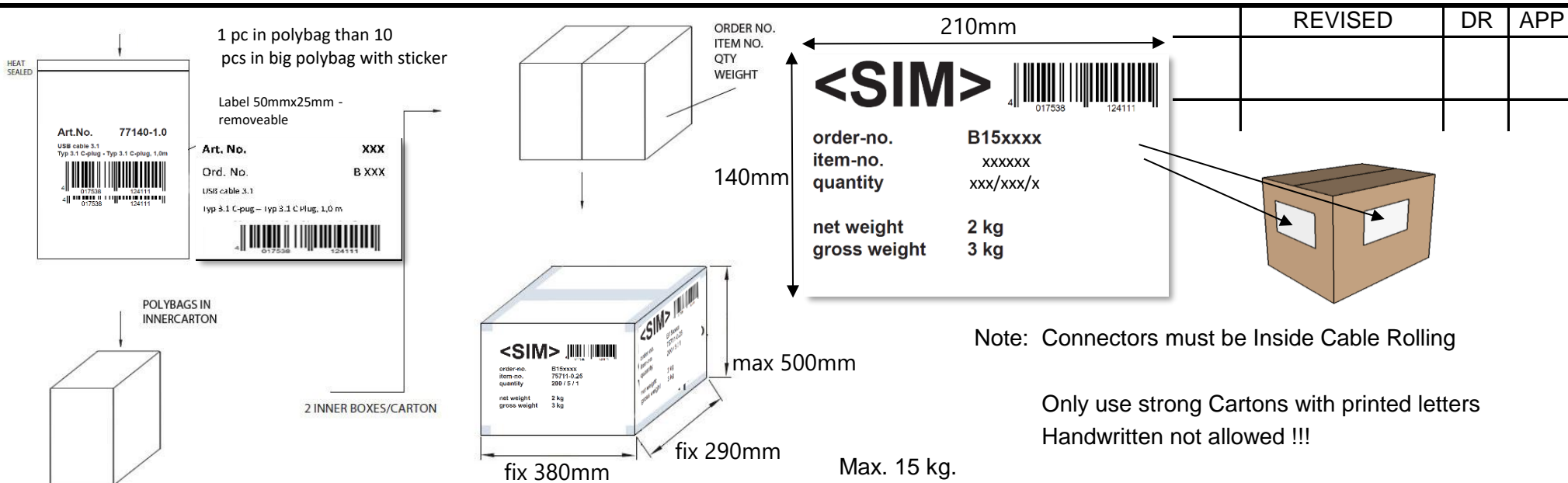
- Connections: SC-Simplex plug to SC-Simplex plug
- Polishing type: Angled Physical Contact (APC), 8°
- Plug Sleeve Material (Ferrule): ceramic
- Fiber type: Single Mode 9/125 µm
- Category: OS2 / G.652.D
- Numbers of fibers: 1
- Cable construction: Simplex
- Diameter cable (ca.): 2mm
- Kink protection sleeve: put on
- Min. bending radius (Static): 10 x OD
- Min. bending radius (Dynamic): 20 x OD
- Operating Temperature: -20 to +60 °C
- Storage Temperature: -20 to +60 °C
- Color: yellow
- Material cable sheath: LSZH



1	CONNECTORS	FO SX Patchcable SC/SC APC SM, OS2 YELLOW
2	MOLDING	
3	CABLE	
NO	PART NAME	PICTURES AND COLORS CAN DIFFER FROM THE PRODUCT



DESCRIPTION		FO SX Patchcable SC/SC APC SM, OS2 YELLOW					
SIZE	A4	DATE	11.12.2023	CHECKED		TOL	350700
UNIT	MM	DRAWN	R. Hüller	APPROVED			
CUSTOM TARIF NO.: 85447000000							



ART.NO.	LENGTH	ROLLING SIZE	NET.WEIGHT (g)	PACKING	EAN CODE
350700	0.5m	150x150x15mm	14g	800 EXP / 200 INNER - 10/1 in pb with st.	4017538145338
350701	1.0m	160x160x15mm	15g	800 EXP / 200 INNER - 10/1 in pb with st.	4017538145345
350702	1.5m	160x160x15mm	16g	800 EXP / 200 INNER - 10/1 in pb with st.	4017538145352
350703	2.0m	170x170x15mm	18g	800 EXP / 200 INNER - 10/1 in pb with st.	4017538145369
350704	3.0m	170x170x15mm	21g	640 EXP / 160 INNER - 10/1 in pb with st.	4017538145376
350705	5.0m	170x170x15mm	27g	480 EXP / 120 INNER - 10/1 in pb with st.	4017538145383
350706	7.5m	180x180x15mm	37g	400 EXP / 100 INNER - 10/1 in pb with st.	4017538145390
350707	10.0m	180x180x15mm	44g	320 EXP / 80 INNER - 10/1 in pb with st.	4017538145406
350708	15.0m	180x180x15mm	60g	200 EXP / 50 INNER - 10/1 in pb with st.	4017538145413
350709	20.0m	190x190x20mm	74g	100 EXP / 25 INNER - 10/1 in pb with st.	4017538145420
350710	30.0m	190x190x20mm	105g	80 EXP / 20 INNER - 10/1 in pb with st.	4017538145437



DESCRIPTION		FO SX Patchcable SC/SC APC SM, OS2 YELLOW				
SIZE	A4	DATE	11.12.2023	CHECKED		TOL
UNIT	MM	DRAWN	R. Hüller	APPROVED		
CUSTOM TARIF NO.: 85447000000						350700