

REVISED	DR	APP



ITEM NO	LENGTH
08-26055	5000±70
08-26065	7500±100
08-26075	10000±100
08-26085	15000±150
08-26095	20000±150
08-26105	25000±200
08-26485	30000±300
08-26495	40000±300
08-26195	45000±300
08-26505	50000±300
08-26605	60000±300
08-26755	75000±400

The outdoor cables are perfect for outdoor usage. Ideal for security technology, garden houses, sound systems, public viewing or other outdoor events. Dust, water and UV resistant.

Please note that this product is not suitable for unprotected installation in the earth. Please pay attention to the legal regulations. Take advantage of conduits / ductworks for example.

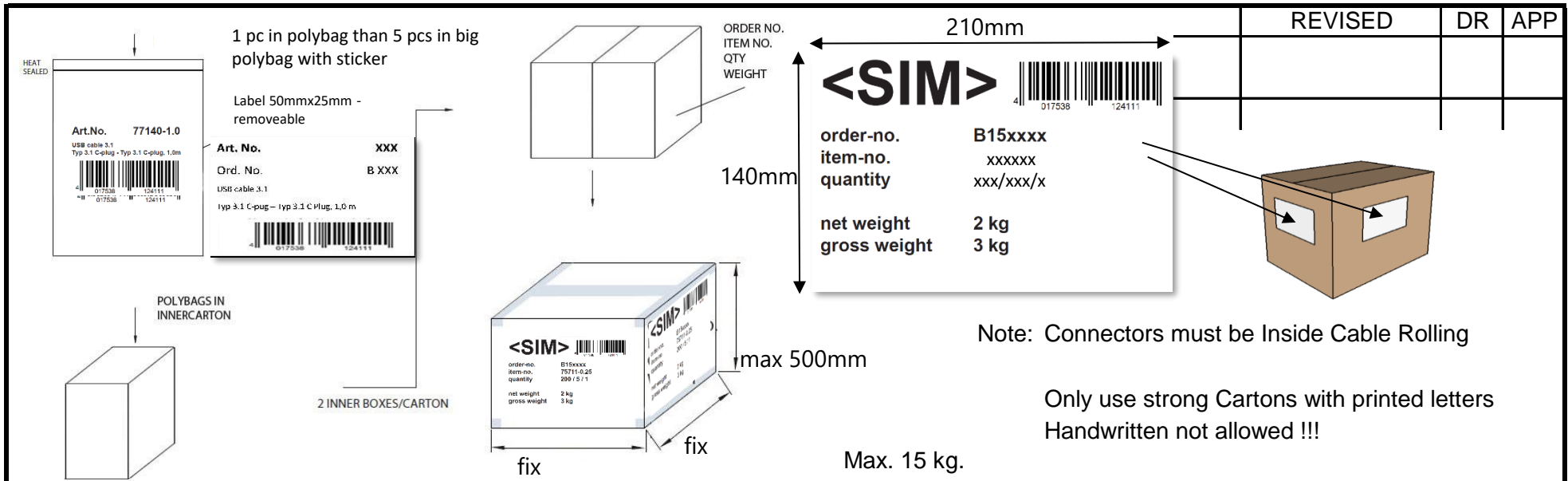
- Connections: RJ-45 plug to RJ-45 plug
- Compatible with 10GBASE-T, 1000BASE-T and below
- Transmission frequency up to: 500 MHz
- Bandwidth up to: 10 Gbps
- Pin assignment: EIA/TIA 568B
- Spezifikation: Cat. 6A
- Backwards compatible versions: Cat. 6, Cat. 5E and below
- Number of shieldings: 2
- Shielding 1: ALU foil laminated PIMF (100% density)
- Shielding 2: ALU braid
- Shielding class: S/FTP
- Cable structure: AWG 27/7
- Wire material: copper
- Wire type: stranded
- Wire number: 8 (4 x 2 twisted pair)
- Plug: moulded
- Length indication on sleeve
- Contact surface: pins gold plated 3µ
- Plug material: plastic, copper shell nickel plating
- Kink protection: yes
- Latch protection: yes
- Cable type: round cable
- Material cable sheath: PE
- PE-Attributes: IP66, waterproof, oil resistant, UV resistance
- Diameter cable (ca.): 6.5mm
- Color cable: black
- Color plug inlay: transparent orange

NOTE:
 1. Electronic test
 1.1 Open/short 100% test
 2. Printing (Laser word spray): CAT.6A S/FTP 27AWG Outdoor PE 500MHz ISO/IEC 11801 & EN 50173-1 & ANSI/TIA-568-C.2
 RoHS2.0 (2011/65/EU) & (2015/863/EU) Compliant

③	OUTER MOLD	PVC BLACK
②	PLUG	SHIELDED RJ45 8P8C, GOLD PLATED PIN, TRANSPARENT ORANGE
①	CABLE	(27AWG/7 BC*1P+AL-FOIL)*4+BRAID AL-MG+ JACKET PE, BLACK, OD6.0±0.2MM
NO.	PART NAME	DESCRIPTION



DESCRIPTION		CAT 6A S/FTP OUTDOOR PATCHCABLE AWG 27 BLACK					
SIZE	A4	DATE	09.03.2023	CHECKED		TOL	08-26055
UNIT	MM	DRAWN	B.Rüttinger	APPROVED			
CUSTOM TARIF NO.: 85444210000							



ART.NO.	LENGTH	ROLLING SIZE	NET.WEIGHT (g)	PACKING	EAN CODE
08-26055	5,0m	145x145x40mm	151g	30 EXP - 5/1 pcs in pb with st.	4017538104106
08-26065	7,5m	160x160x40mm	227g	40 EXP - 5/1 pcs in pb with st.	4017538104113
08-26075	10,0m	170x170x40mm	289g	30 EXP - 5/1 pcs in pb with st.	4017538104120
08-26085	15,0m	200x200x40mm	440g	10 EXP - 5/1 pcs in pb with st.	4017538104137
08-26095	20,0m	180x180x80mm	570g	10 EXP - 5/1 pcs in pb with st.	4017538104144
08-26105	25,0m	190x190x60mm	770g	8 EXP - 1 pcs in pb with st.	4017538104151
08-26485	30,0m	180x180x90mm	795g	8 EXP - 1 pcs in pb with st.	4017538104168
08-26495	40,0m	190x190x110mm	1113g	6 EXP - 1 pcs in pb with st.	4017538104175
08-26195	45,0m	210x210x90mm	1168g	6 EXP - 1 pcs in pb with st.	4017538104182
08-26505	50,0m	200x200x100mm	1530g	4 EXP - 1 pcs in pb with st.	4017538104199
08-26605	60,0m	230x230x90mm	1628g	4 EXP - 1 pcs in pb with st.	4017538104205
08-26755	75,0m	250x250x120mm	2080g	4 EXP - 1 pcs in pb with st.	4017538104212



DESCRIPTION

CAT 6A S/FTP OUTDOOR PATCHCABLE AWG 27 BLACK

SIZE	A4	DATE	09.03.2023	CHECKED		TOL	08-26055
UNIT	MM	DRAWN	R. Hueller	APPROVED			
CUSTOM TARIF NO.: 85444210000							