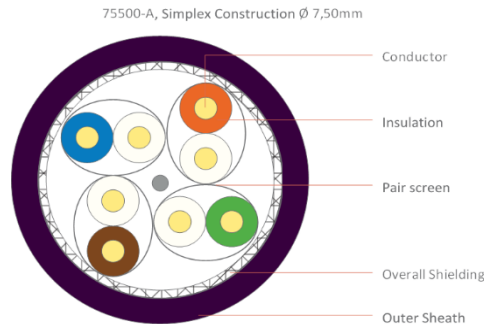
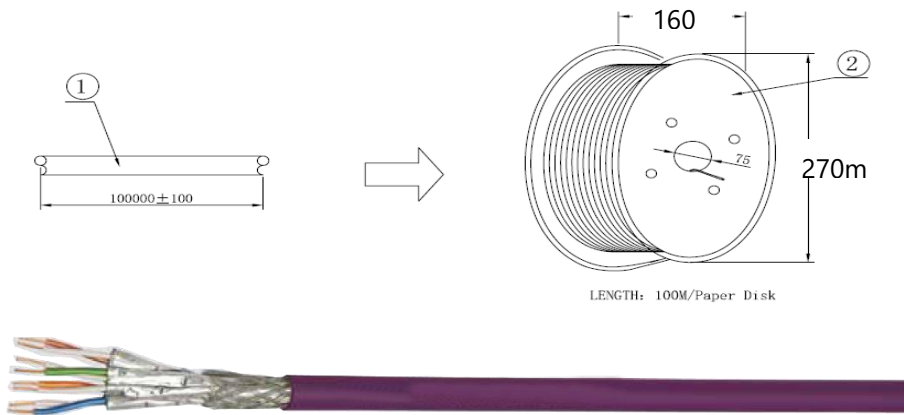


	REVISED	DR	APP



CABLEMARKING: WITH <metermarking>

Standards

International standard: ISO/IEC 11801 2nd ed., IEC 61156-5
 European standard: EN 50173-1, EN 50288-9-1

Flame resistancy

Flame retardancy: IEC 60332-1-2
 Halogen free: IEC 60754-1/2

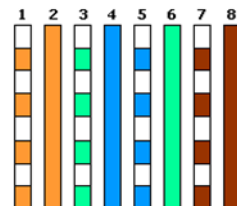
Cat. 7A network cable, field of application: indoor structured cabling.

- Specification: Cat. 7A (Class FA)
- Transmission frequency up to: 1000MHz
- Bandwidth up to: 10Gbps

- Number of shieldings: 2
- Shielding 1: ALU foil laminated PIMF (100% density)
- Shielding 2: tinned copper braid
- Shielding class: S/FTP
- Cable structure: AWG 23/1
- Wire material: copper
- Wire type: solid
- Wire number: 8 (4 x 2 twisted pair)

- Cable type: round cable
- Material cable sheath: LSZH (halogenfree)
- Diameter cable (ca.): 7.5mm
- CPR Euroclass: Cca-s1a,d1,a1

Colour Code of Innerconductors (F-PE Isolation)



(EU) Nr. 305/2011
 (Construction Products Regulation)
 EN 13501-6



Class: Cca

EN 50575:2014 + A1:2016



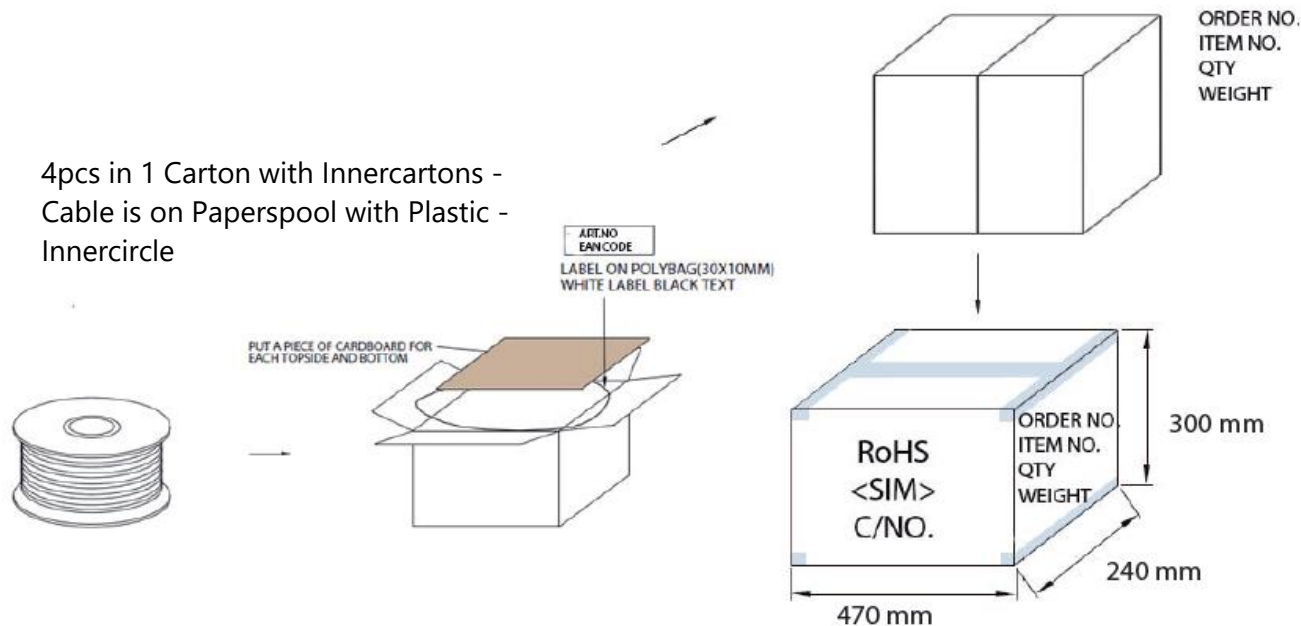
1	CABLE	INNERCONDUCTOR AWG23 (0.582MM) SOLID BARE COPPER - PIMF, BRAIDING 40 x 0.12MM AL, OD = 7.5MM - LSZH - PURPLE RAL 4001
2	WINDING	25M - 50M = RING & FOIL 100M = PAPER SPOOL 200M - 500M = WODDEN SPOOL
3	TECHNICAL PARAMETER	SYSTEMCABLE - S/FTP CAT.7A 1000 MHZ - HALOGENFREE CPR Euroclass: Cca s1 d1 a1
NO	PARTS	DESCRIPTION

kabelschweiz.ch

Media Connect Distribution GmbH
 Gösggerstrasse 13, 5012 Schönenwerd
 062 858 80 00, auftrag@kabelschweiz.ch

DESCRIPTION		S/FTP CAT 7A 1000MHz Systemcable ---AWG 23 - HALOGENFREE					
SIZE	A4	DATE	17.09.2023	CHECKED		TOL	75500-A
UNIT	MM	DRAWN	R. Hueller	APPROVED			
SCALE	CUSTOM TARIF NUMBER: 85444920000						

4pcs in 1 Carton with Innercartons -
Cable is on Paperspool with Plastic -
Innercircle



Only use strong Cartons with printed letters
Handwritten not allowed !!!

ART. NO.	LENGH	ROLLING SIZE	NET. WEIGHT	PACKING	EAN CODE
75500-A-25S / 90-98081	25m			16 EXP - 1 pc in stretchfoil w. st.	4017538144935
75500-A-50S / 90-98082	50m			4 EXP - 1 pc in stretchfoil w. st.	4017538144942
75500-A-100SSP	100m	220x220x150mm	6220g	4 EXP - 1 pc in stretchfoil w. st.	4017538115546
75500-A-500S	500m	535x535x220mm	31100g	1 pc in stretchfoil w. st.	4017538115560

kabelschweiz.ch

Media Connect Distribution GmbH
Gösgenstrasse 13, 5012 Schönenwerd
062 858 80 00, auftrag@kabelschweiz.ch

DESCRIPTION

S/FTP CAT 7A 1000MHz Systemcable ---AWG 23 - HALOGENFREE

SIZE	A4	DATE	17.09.2023	CHECKED		TOL	
UNIT	MM	DRAWN	R. Hueller	APPROVED			75500-A
SCALE	CUSTOM TARIF NUMBER: 85444920000						