

With an RJ-45 patch cable you can connect e.g. your smart TV, notebook, PC or your set top box with a network router or network switch.

The UTP flat cables are very flexible and perfect for space saving installations.

- Connections: RJ-45 plug to RJ-45 plug
- Compatible with 1000BASE-T and below
- Transmission frequency up to: 250 MHz
- Bandwidth up to: 1 Gbit/s
- Pin assignment: EIA/TIA 568B
- Specification: Cat. 6
- Backwards compatible versions: Cat. 5E and below

- Shielding class: U/UTP
- Wire material: copper
- Wire type: stranded
- Wire number: 8 (4 x 2 twisted pair)
- Plug: moulded
- Contact surface: pins gold plated
- Latch Protection: no
- Color plug inlay: transparent

- Cable type: flat cable
- Cable jacket: PVC
- Diameter cable (ca.): 1.4mm x 6.1mm



TEMPERATURE -5°/ +40° C  
CABLE MUST PASS FLUKE TEST

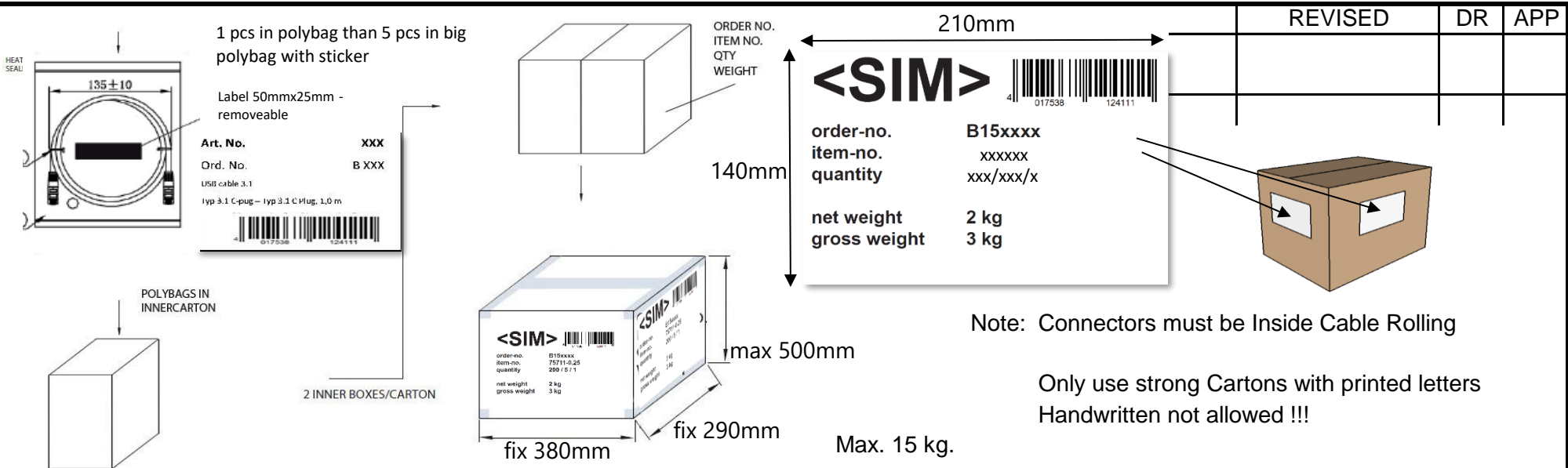
**Note: (Colour Codes)**

- Blue RAL 5005
- Yellow RAL 1003
- Red RAL 3020
- Green RAL 6024
- White RAL 9003
- Black RAL 9005

1	CONNECTORS	RJ45 - RJ45, UTP, GOLD PLATED PINS 3U
2	MOLDING	PVC, SAME CABLE COLOR
3	CABLE	FLAT UTP CAT 6 CABLE, 4 X 2 AWG32, 7x0,08MM BC, OD = 1.40MM X 6.10MM, PVC, ONPRINT: CAT6 UTP FLAT CABLE, COLORS MUST BE
NO	PART NAME	

DESCRIPTION		FLAT PATCH CABLE U/UTP CAT 6 250 MHz - 4x2xAWG 32					
SIZE	A4	DATE	28.09.2022	CHECKED		TOL	
UNIT	MM	DRAWN	SIM	APPROVED			75711-SL
CUSTOM TARIF NO.: 85444210000							





ART.NO.	LENGTH	ROLLING SIZE	NET.WEIGHT (g)	PACKING	EAN CODE
EAN CODES AND PACKING INSTRUCTIONS ON EXTRA SHEET!					



DESCRIPTION		FLAT PATCH CABLE U/UTP CAT 6 250 MHz - 4x2xAWG 32					
SIZE	A4	DATE	28.09.2022	CHECKED		TOL	
UNIT	MM	DRAWN	R.Hueller	APPROVED			75711-SL
CUSTOM TARIF NO.: 85444210000							